



## Industrial Freezer Sales

A division of IDS

5311 Derry Avenue Building D Agoura Hills CA 91301

Phone (818) 597-4300 Fax (818) 597-4301

[www.freezerlink.com](http://www.freezerlink.com)

### BBUCR1S5 Blood Bank UnderCounter Fridge

#### Dimensions:

##### External:

27"W x 25"D x 34"H

##### Internal:

23"W x 19-1/2"D x 22-7/8"H

5.1 cubic feet, 1 solid door

##### Voltage:

115V 1PH 60HZ Plug Type 5-15P

**Shipping weight:** 200 lbs.

**Warranties:** 18 month parts and labor, 5 year compressor (US and Canada) 18 months' parts (International) **UL and C-UL listed**



#### BBUCR1S5 Blood Bank UnderCounter Fridge Features:

- Operating temperature within +1°C to +6°C.
- Factory preset at +4°C
- Microprocessor controller, LED digital display
- Warm/cold audible and visual alarms, remote alarm contacts
- The exterior front, door, top and sides are white painted enamel
- Non-CFC refrigerant
- Back and bottom are galvanized steel
- Cabinet and door are foamed-in-place.
- CFC Free high density polyurethane foam insulation
- Pull door handle
- Aluminum interior
- Key lock door
- One adjustable gray epoxy coated wire shelf
- Four 4" legs
- 115/60/1 cord and plug
- Base mount refrigeration system
- Refrigerators can be built in on three sides, air intake and exhaust is through the base in front of the unit





## Industrial Freezer Sales

A division of IDS

5311 Derry Avenue Building D Agoura Hills CA 91301

Phone (818) 597-4300 Fax (818) 597-4301

[www.freezerlink.com](http://www.freezerlink.com)

### BBUCR1S5 Blood Bank UnderCounter Fridge

#### BBUCR1S5 Blood Bank UnderCounter Fridge Features (continued):

- Air-cooled condensing unit with an expansion valve refrigeration system
- Automatic defrost
- Magnetic door gasketing
- Remote contacts
- Temperature chart recorder (freestanding, shown below, left) & chart paper
- **Warranties:** 18 month parts and labor, 5 year compressor (US and Canada)
- 18 months parts (International)
- UL and C-UL listed

#### BBUCR1S5 Blood Bank UnderCounter Fridge Options:

- Casters in lieu of legs
- 2" levelers in lieu of legs
- Stainless steel exterior (Galv. back)
- Stainless steel interior
- Reverse hinge door
- Extra shelf with clips
- Sensor access port 1" diameter
- Export crating

**BBUCR1S5** with standard legs and with optional casters, Standard Temp Recorder.



[www.freezerlink.com](http://www.freezerlink.com)



## Industrial Freezer Sales

A division of IDS

5311 Derry Avenue Building D Agoura Hills CA 91301

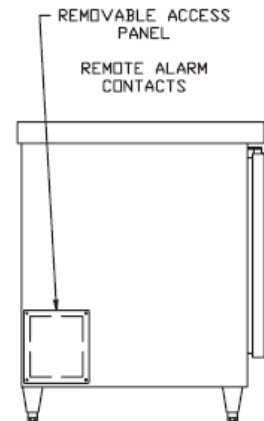
Phone (818) 597-4300 Fax (818) 597-4301

www.freezerlink.com

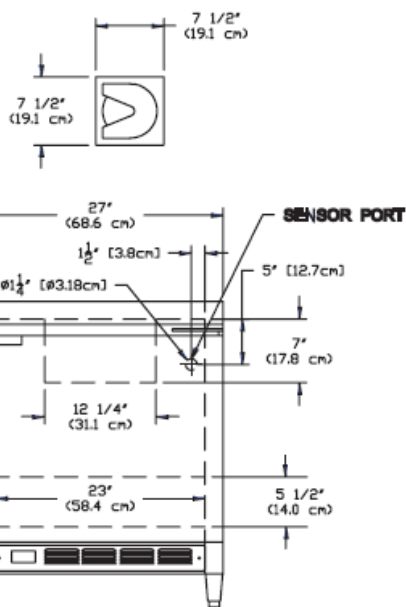
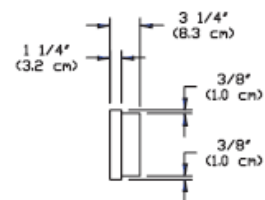
### BBUCR1S5 Blood Bank UnderCounter Fridge

#### BBUCR1S5 Blood Bank UnderCounter Fridge Specifications (continued):

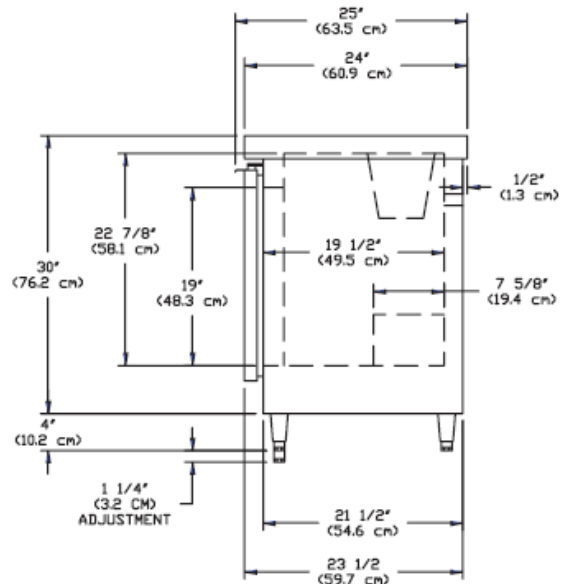
Crated Height	34"
Crated Width	31"
Crated Depth	28"
Crated Weight	200 lbs.
Interior Height	22-7/8"
Interior Width	23"
Interior Depth	19-1/2"
Overall Height- Adjustable	34" to 35-1/4"
Overall Width	27"
Overall Depth	25"
Cubic Feet	5.1
450 ML Bags	** 80
Shelf Area	2.6 Sq Ft
Number of Shelves	1
Number of Legs	4
Condensing Unit	1/5HP
Refrigerant	R134a
Electrical	115/60/1
Cord & Plug	Yes
Maximum Fuse	15 AMPS
NEMA Plug	5-15P
Total Amp Draw	4.3



Left Side View



Front View



Right Side View