

Explosion Proof Freezer (Manual Defrost)

IDS Part # EP2004000



External Dimensions:

35 ¾ "W x 36 ¼ "D x 77 ½ "H

Internal Dimensions:

See Drawing

Voltage: 115V, 60Hz, 6 Amps, 1/3 HP, 1800 BTU's/hr

Not equipped with line cord and plug; must be hardwired in conduit to 120 VAC power source

Shipping weight: 390 lbs.

Standard Product Features:

Hazardous Location (Explosion Proof) Freezer

30 Cu. Ft. Capacity

One solid swing door, right hinged, not reversible

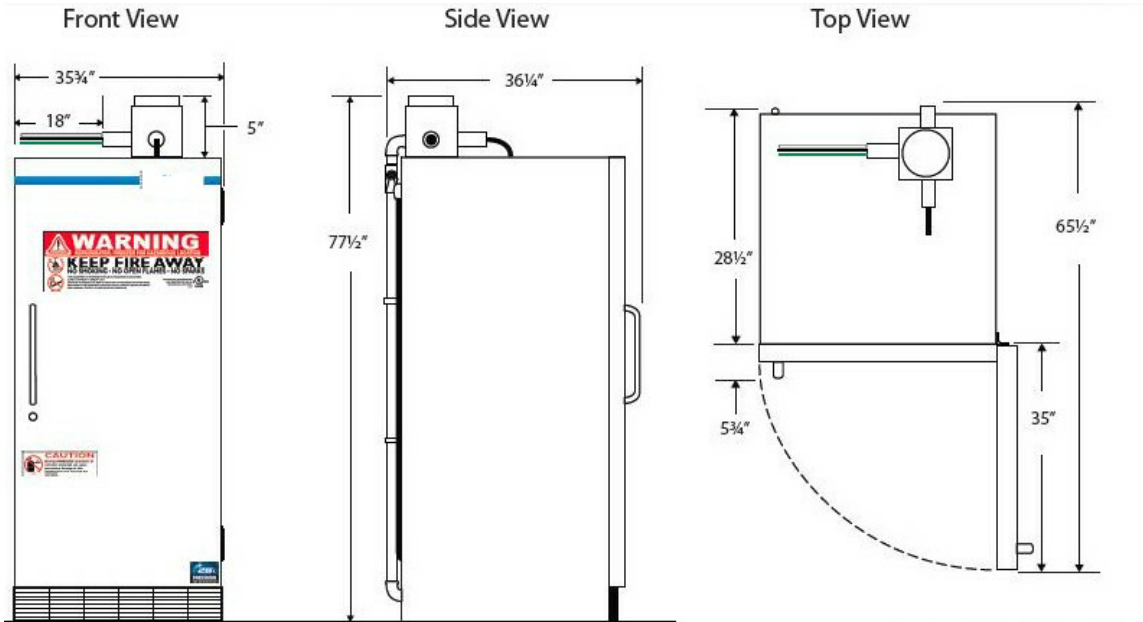
Mechanical thermostat sealed in UL listed explosion proof box

Temperature range: -18°C to -25°C, average cycle temperature: -20°C

- *3 fixed and 2 adjustable wire shelves
- *Keyed door lock
- *Magnetic door gasket for positive seal
- *Stainless steel door handle
- *Leveling legs
- *Powder coat paint exterior
- *High density urethane foam cabinet and door insulation
- *CFC-free refrigerant (R404a), foam insulation and packaging
- *Two year parts and labor warranty, plus an additional three year compressor parts
- *Manual defrost
- *Not equipped with line cord and plug; must be hardwired in conduit to 120*VAC
- *UL/C-UL listed
- *Meet NFPA and OSHA guidelines for hazardous locations, Class 1, Division II, Group C & D.



Outside Dimensions:



Factory Sealed Wires Only

Cu. Ft	Defrost	Door	Int Door	Shelves	W"	D"	H"	H.P.	Amps	Weight
30	Manual	1 Solid	0	2 Adj/3 Fixed	35 3/4	36 1/4	77 1/2*	1/3	6	350 lbs.

Inside Dimensions:

