



## Industrial Freezer Sales

A division of IDS

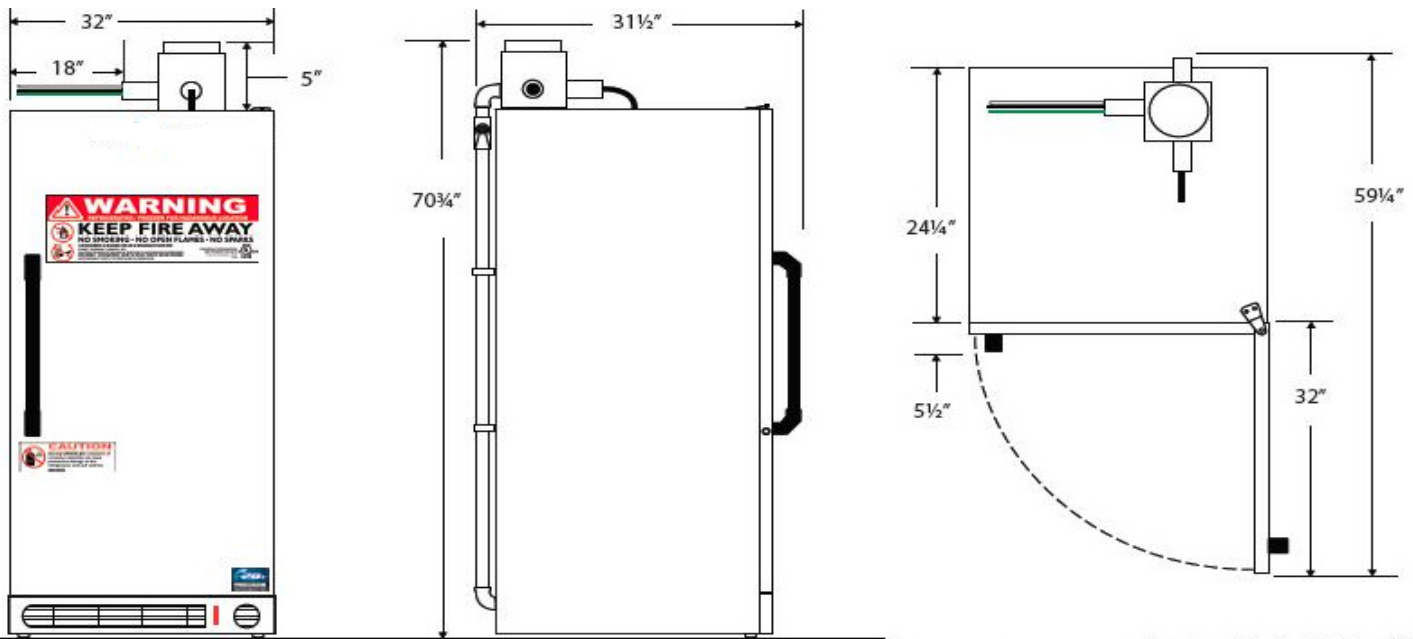
5311 Derry Avenue Building D Agoura Hills CA 91301

Phone (818) 597-4300 Fax (818) 597-4301

www.freezerlink.com

# 17 cubic foot Explosion Proof Freezer (Manual Defrost)

IDS Part # EP2004002



Factory Sealed Wires Only

Cu. Ft	Defrost	Door	Int Door	Shelves	W"	D"	H"	H.P.	Amps	Weight
17	Manual	1 Solid	0	3 Fixed	32	31 1/2	70 3/4	1/3	5	233 lbs.

**Shelves: 3 Fixed Shelves**

**Doors: 1 Solid Door**

**Exterior: 32"W x 31 1/2"D x 70 3/4"H**

- Hazardous Location (Explosion Proof) Freezer

www.freezerlink.com



## Industrial Freezer Sales

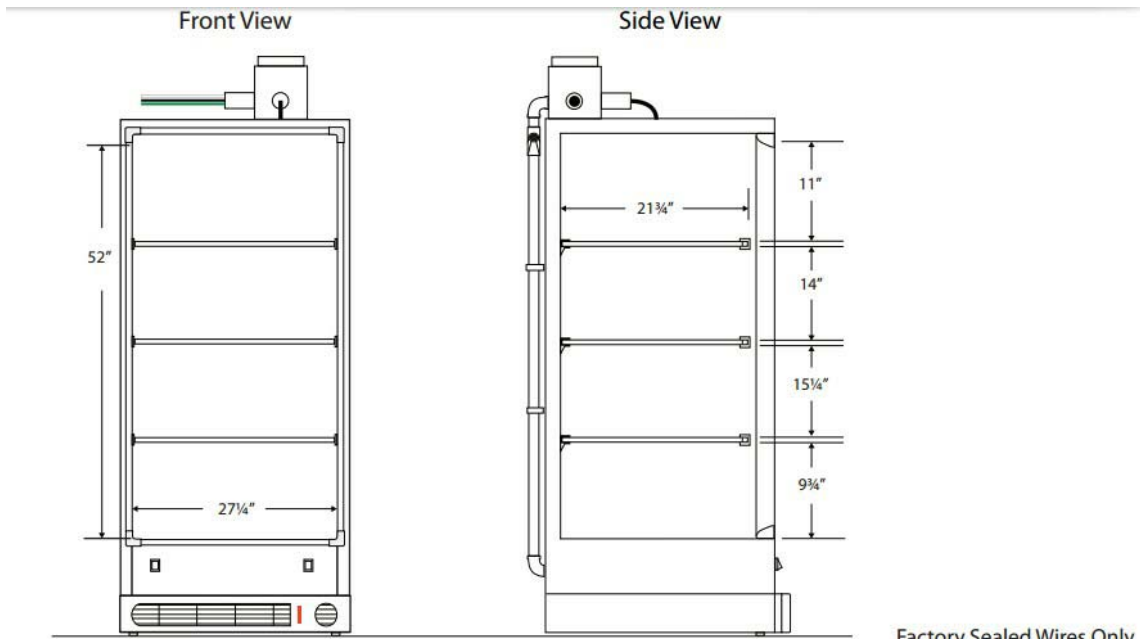
A division of IDS

5311 Derry Avenue Building D Agoura Hills CA 91301

Phone (818) 597-4300 Fax (818) 597-4301

[www.freezerlink.com](http://www.freezerlink.com)

- 17 Cu. Ft. capacity
- Temperature range: -18°C (0.4°F) to -25°C (-13°F); preset at -20°C (-4°F)
- Meets **NFPA** and **OSHA** guidelines for flammable material storage in hazardous locations, Class 1, Division II, Group C & D
- Fully sealed exterior compressor and mechanical thermostat, sealed in UL listed explosion proof box
- Manual defrost
- Leveling legs
- Keyed door lock
- Heavy duty handle
- White baked on powder coat finish
- Heavy duty powder coated shelves
- Durable ABS material door liner
- Quality certified
- Two year parts and labor warranty, plus a three compressor parts warranty
- HP: 1/3 Amps: 5
- Weight: 233 lbs
- **Product Manual**



Cu. Ft	Defrost	Door	Int Door	Shelves	Interior Dim.			H.P.	Amps	Weight
					W"	D"	H"			
17	Manual	1 Solid	0	3 Fixed	27 1/4	21 3/4	52	1/3	5	233 lbs.